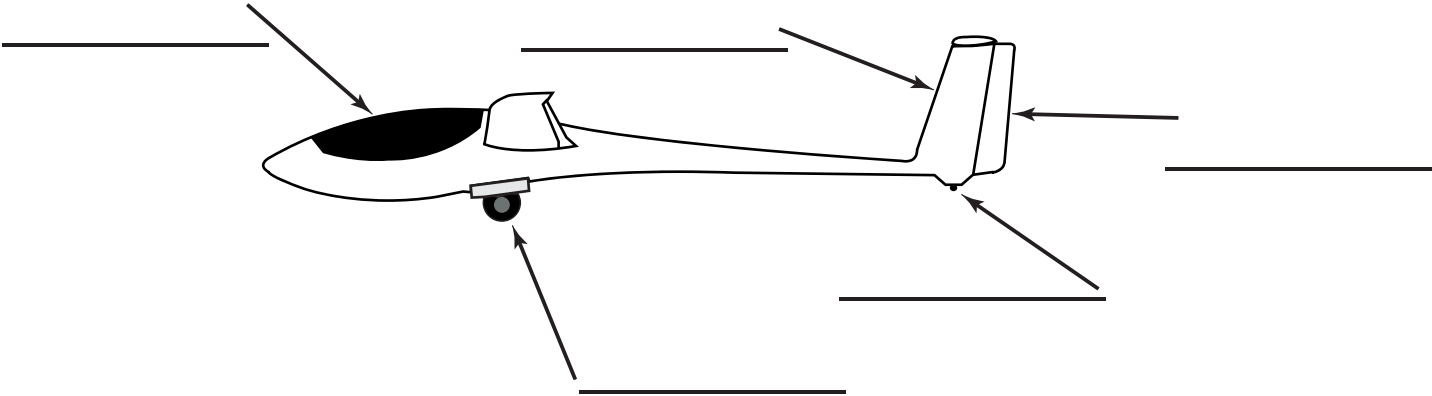
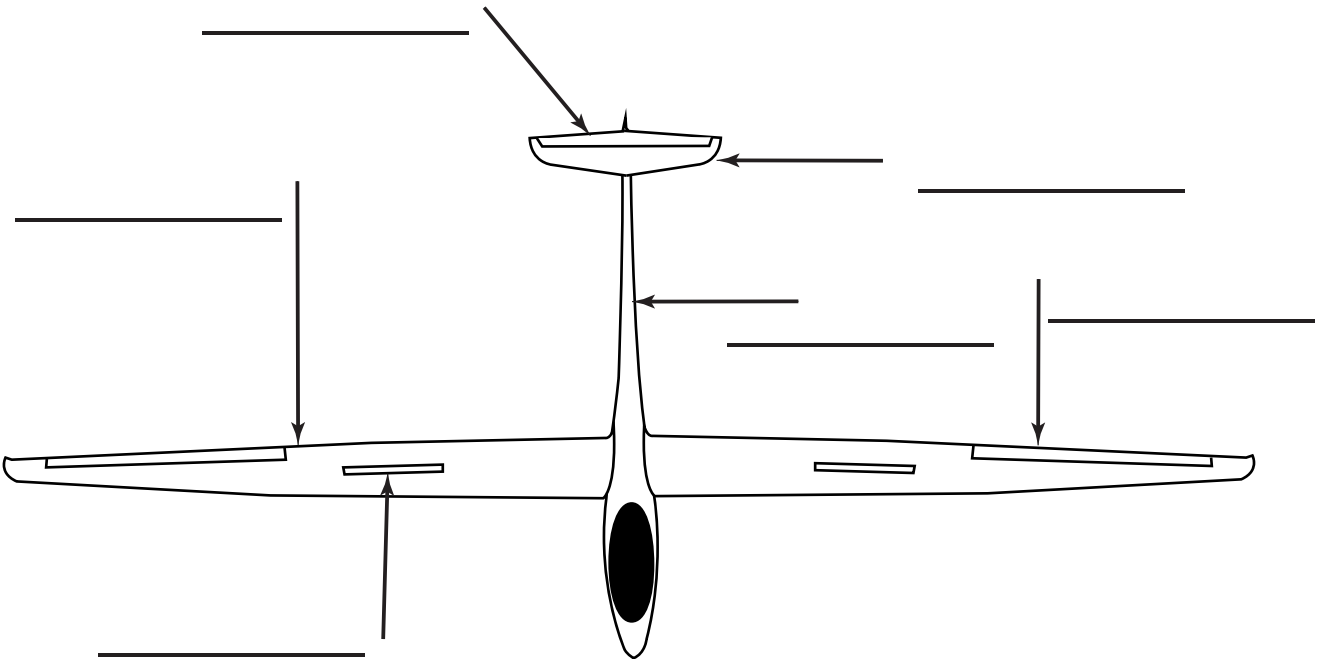


**Main Parts
of a
Glider**



**CANOPY * FIN * MAIN WHEEL * RUDDER * TAIL WHEEL * AILERON
WING * TAIL PLANE * AIR BRAKES * ELEVATOR * FUSELAGE**



Name _____	Score _____	/ 11
------------	-------------	------